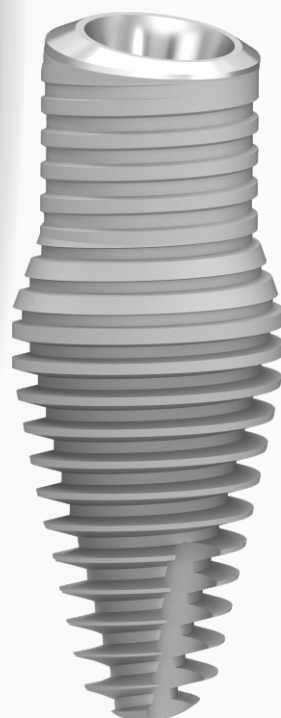
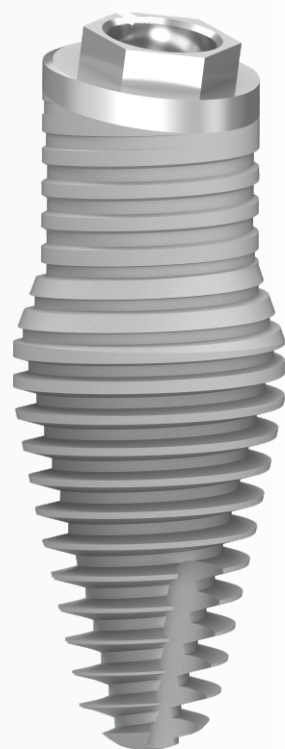


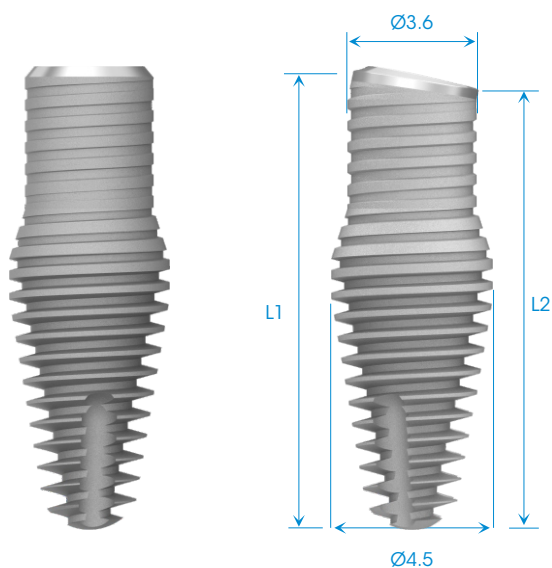


**SOUTHERNIMPLANTS®**

Innovative Treatment Solutions

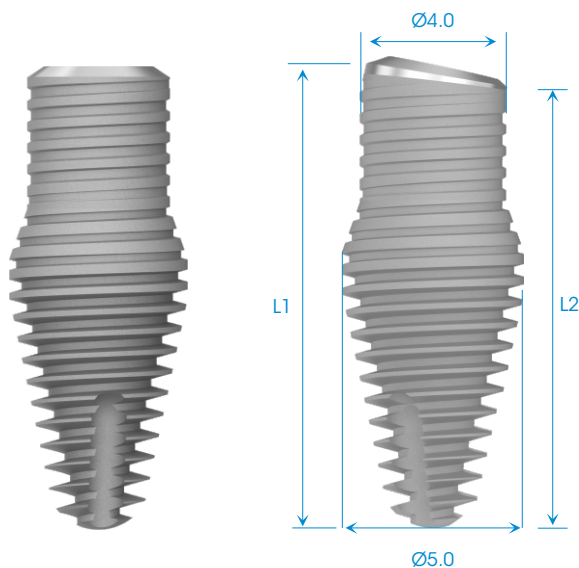
**INVERTA®** Implants  
Product Catalogue





IV-DC35-45xx

IV-DC3512D-45xx



IV-DC40-50xx

IV-DC4012D-50xx

(where xx is implant length)

**Implants are available in lengths of:**

**NOTE:** Implant dimensions and information - page 24.

ITEM CODE	IMPLANT LENGTHS (in mm)	
	L1	L2
IV-DC35-4508	8.0	
IV-DC35-4510	10.0	
IV-DC35-4511	11.5	
IV-DC35-4513	13.0	
IV-DC35-4515	15.0	

ITEM CODE	IMPLANT LENGTHS (in mm)	
	L1	L2
IV-DC40-5008	8.0	
IV-DC40-5010	10.0	
IV-DC40-5011	11.5	
IV-DC40-5013	13.0	
IV-DC40-5015	15.0	

**Co-Axis® Implants are pre-mounted and available in lengths of:**

ITEM CODE	IMPLANT LENGTHS (in mm)	
	L1	L2
IV-DC3512D-4511	11.5	10.86
IV-DC3512D-4513	13.0	12.36
IV-DC3512D-4515	15.0	14.36

ITEM CODE	IMPLANT LENGTHS (in mm)	
	L1	L2
IV-DC4012D-5011	11.5	10.86
IV-DC4012D-5013	13.0	12.36
IV-DC4012D-5015	15.0	14.36

**Surgical Components**

**Cover Screw**

**Healing Abutments**

CS-DC4



HA-DC4-N2

Ø4.0



HA-DC4

Ø4.5



4/6 lengths

HA-DC4-W

Ø5.5



2/4/6 lengths

**NOTE:** Torque to 10Ncm ONLY.

**DIRECT**

**Healing Abutments**

HA-DC4-N2



HA-DC4



HA-DC4-W



**Impression Copings**

IC-DC4  
(pick-up)



IC-DC4-W  
(pick-up)



SFT-DC4  
(scanning flag)



Titanium

ICT-DC4  
(transfer)



ICT-DC4-W  
(transfer)



**Laboratory Analogues**

LA-DC4



LAD-DC4



(digital analogue)

**Prosthetic Components**

GC-DC4  
(engaging)  
GC-NDC4  
(non-engaging)



Gold

TC-DC4-1  
(engaging)  
TC-NDC4-1  
(non-engaging)



Titanium

PKC-DC4-2  
(engaging)  
PKC-NDC4-2  
(non-engaging)



PEEK\*

\*Screw torque: 20Ncm

TCA-DC4  
(engaging)



TCA12-DC4  
(engaging)



TCA24-DC4  
(engaging)



CAB-DC4  
(engaging)



TIB-DC4  
TIB-DC4-C1.5  
TIB-DC4-C3  
(engaging)



TIB-NDC4  
TIB-NDC4-C1.5  
TIB-NDC4-C3  
(non-engaging)



TIB abutments available in 3 cuff height variants:  
0.7mm, 1.5mm and 3mm

PA-DC4  
(engaging)  
PA-NDC4  
(non-engaging)



Passive Abutment Screws

PA-DC4-16T



Titanium  
Torque  
20Ncm

PA-DC4-16B



(Anodized blue  
and for laboratory  
use only)

DIRECT  
Abutments

TITANIUM  
Abutments

SCANNABLE  
Abutments

PASSIVE  
Abutment  
5-Piece Kit

**INDIRECT**

**Compact Conical Abutments**

MC-DC4



1 / 3 / 4 / 5

MC-DC4-20D\*



MC-DC4-30D\*



\*Packed with  
TS-DC4-MC

HMC



4/6



4/6

CMC1  
(pick-up)



SFT-MC-48  
(scanning flag)



Titanium

CMC2  
(transfer)



CMC-ZG-2  
(transfer)



LSMC1



LAD-MC



(digital analogue)

GMC1



Gold

TMC1 / 5



Titanium  
TMCSL  
(long version)

PKC-MC



PEEK\*

\*Screw torque:  
10 - 15Ncm

TIB-MC-48  
(titanium  
scanning abutment)



PA-MC-48  
(passive abutment)



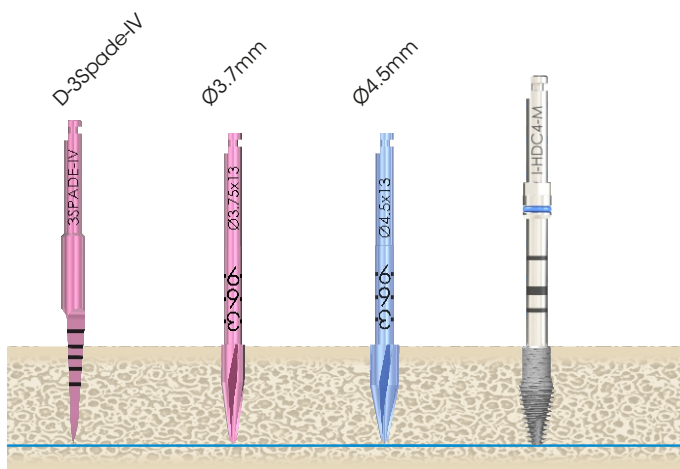
1 Series  
Screws  
Torque  
10 - 15Ncm

NOTE: Refer to CAT-1189 for Equator Overdenture Abutments.

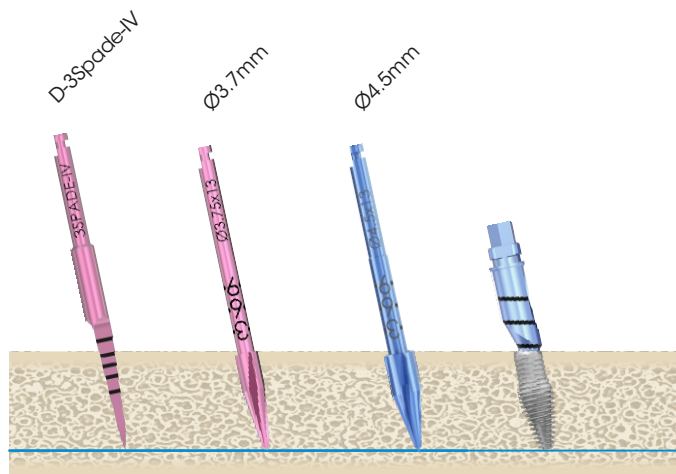
# Site Preparation Sequence

(Illustrations are for 13mm implants)

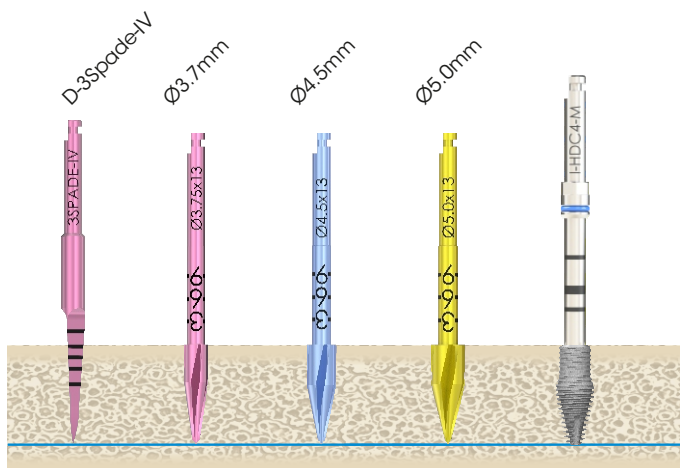
**Ø3.5mm-Ø4.5mm Tapered (IV-DC35-45xx)**



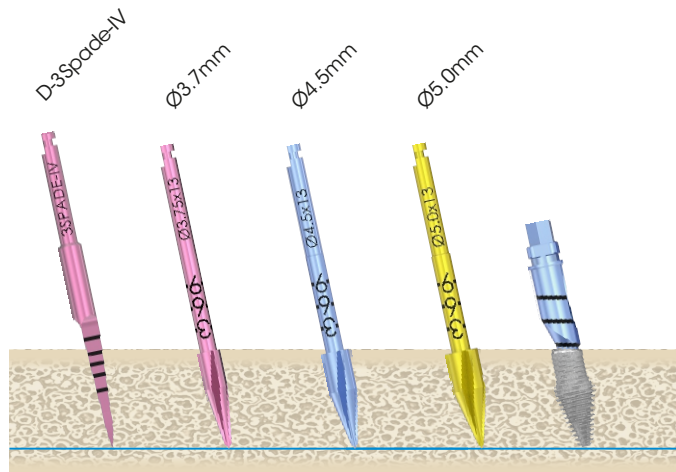
**Ø3.5mm-Ø4.5mm Tapered Co-Axis® (IV-DC3512d-45xx)**



**Ø4.0mm-Ø5.0mm Tapered (IV-DC40-50xx)**

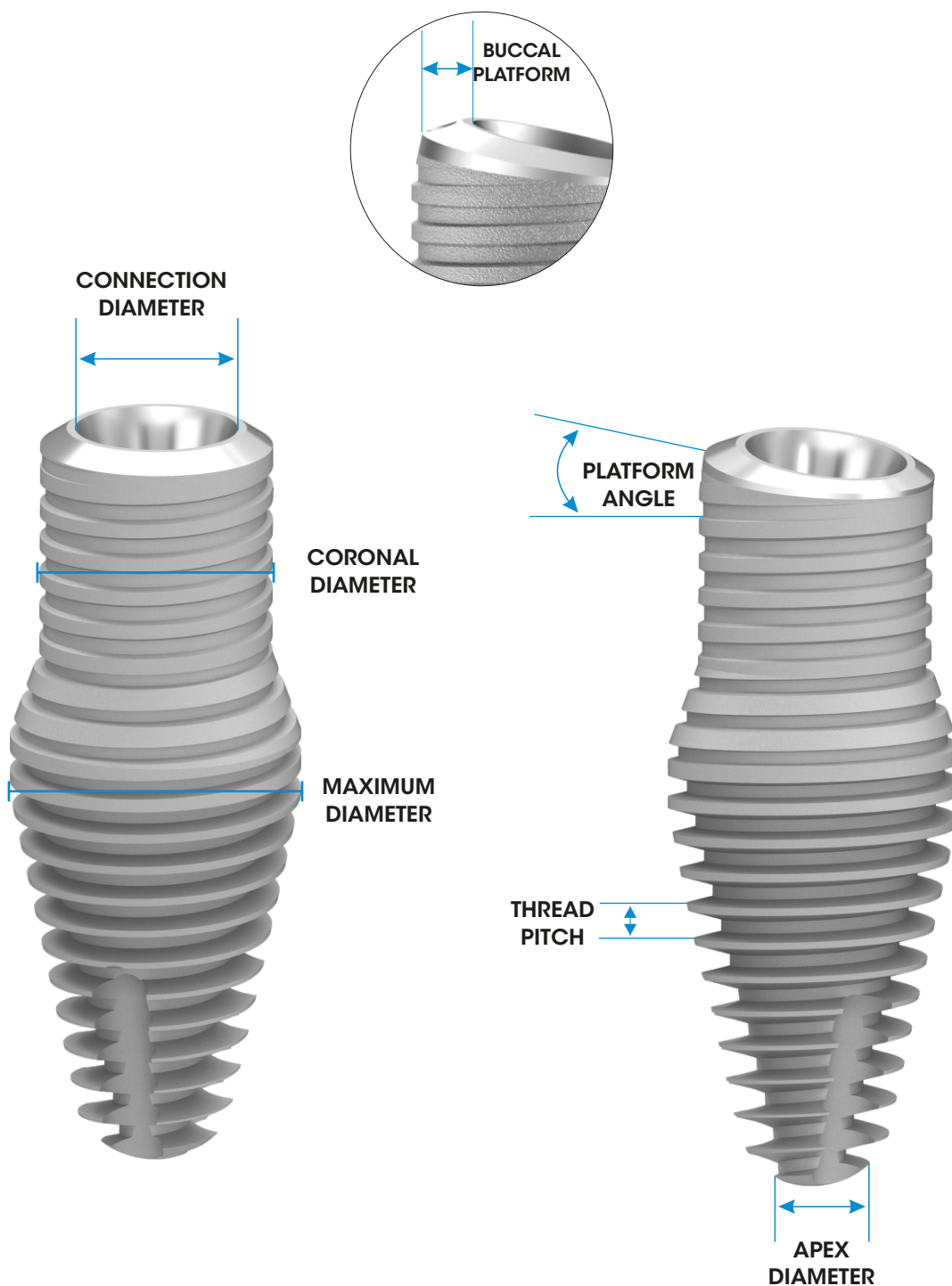


**Ø4.0mm-Ø5.0mm Tapered Co-Axis® (IV-DC4012d-50xx)**



**NOTE:** Site preparation sequence recommended by Southern Implants does not replace the judgement and experience of the surgeon.

RANGE	CORONAL DIAMETER	MAXIMUM DIAMETER	PROSTHETICS	CONNECTION DIAMETER	THREAD PITCH	APEX DIAMETER	BUCCAL PLATFORM	PLATFORM ANGLE	IMPLANT LENGTHS				
									8	10	11.5	13	15
● IV-DC35-45    Ø3.5mm-Ø4.5mm	3.6	4.5	●	2.8	0.6	2.6	0.40	0°	✓	✓	✓	✓	✓
● IV-DC40-50    Ø4.0mm-Ø5.0mm	4.0	5.0	●	2.8	0.6	2.6	0.60	0°	✓	✓	✓	✓	✓
● IV-DC50-60    Ø5.0mm-Ø6.0mm	5.0	6.0	●	2.8	0.6	2.6	0.60	0°		✓	✓	✓	✓
● IV-DC3512D-45    Ø3.5mm-Ø4.5mm	3.6	4.5	●	2.8	0.6	2.6	0.52	12°			✓	✓	✓
● IV-DC4012D-50    Ø4.0mm-Ø5.0mm	4.0	5.0	●	2.8	0.6	2.6	0.72	12°			✓	✓	✓



NOTE:

- All dimensions in this catalogue are in mm, unless otherwise specified.
- Not all products are cleared for sale in all countries.

For more information, please contact your  
Southern Implants Representative or visit [southernimplants.com](http://southernimplants.com)



**South Africa - Headquarters** 1 Albert Road, Irene, RSA  
**T:** +27-12-667-1046 | **E:** [info@southernimplants.com](mailto:info@southernimplants.com)

**EC REP**

**Southern Implants Europe AB** Holmgatan 30, S-791 71, Falun, Sweden  
**E:** [ecrep@southernimplants.com](mailto:ecrep@southernimplants.com)

#### Subsidiaries

**Australia**  
Southern Implants Australia  
**T:** +61-2-8076-9337  
**E:** [info@southernimplants.com.au](mailto:info@southernimplants.com.au)

**Spain and Portugal**  
Southern Implants Ibérica  
**T:** +34 935 053 507  
**E:** [info@southernimplants.es](mailto:info@southernimplants.es)

**United Kingdom and Ireland**  
Southern Implants UK  
**T:** +44-20-8899-6845 / 6 / 7  
**E:** [info@southernimplants.co.uk](mailto:info@southernimplants.co.uk)

**USA and Canada**  
Southern Implants North America Inc.  
**T:** +1-561-472-099  
**E:** [customercare@southernimplants.com](mailto:customercare@southernimplants.com)

**Southern Implants are distributed world-wide, please visit [southernimplants.com](http://southernimplants.com) for a list of Distributors.**